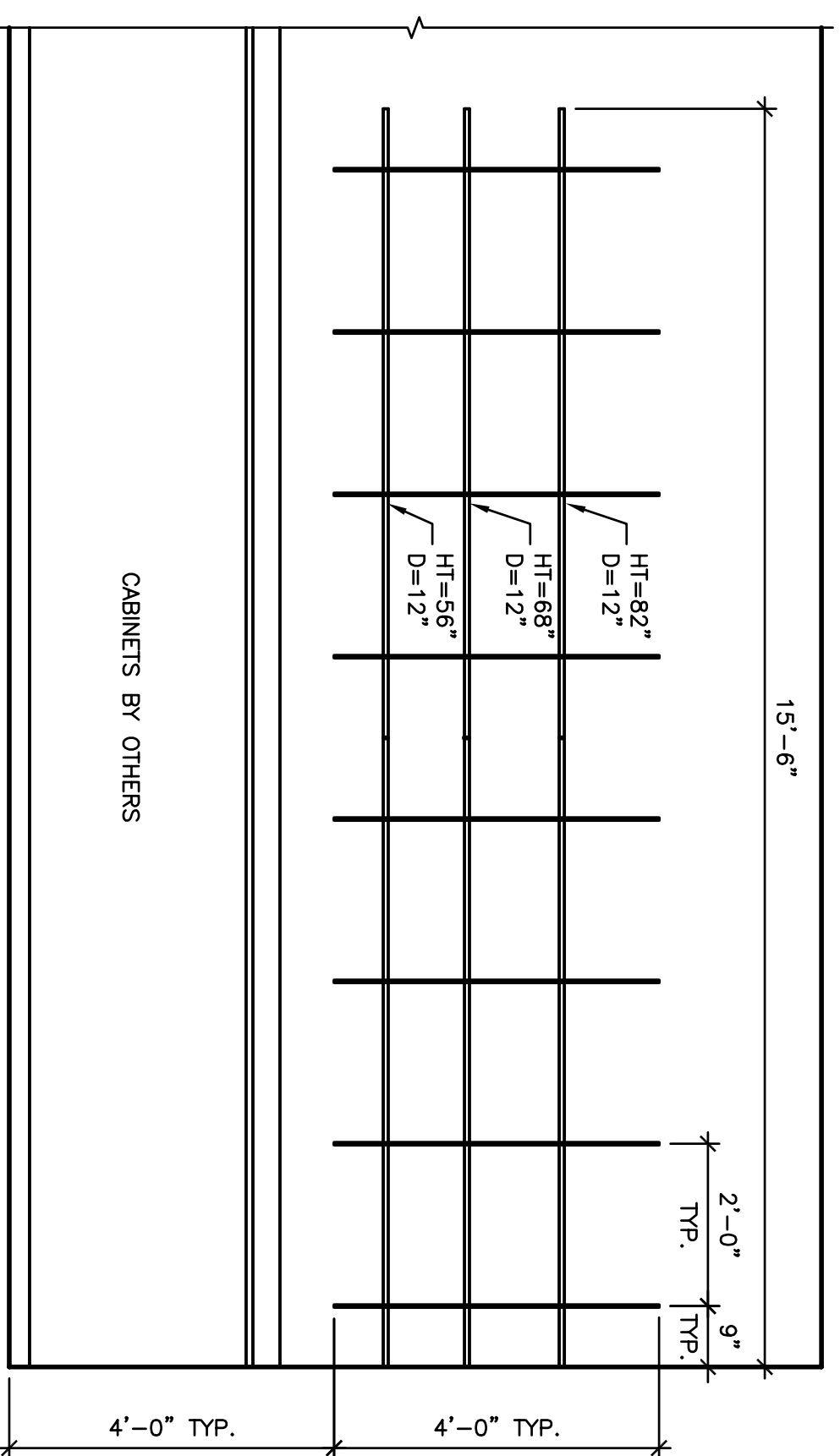
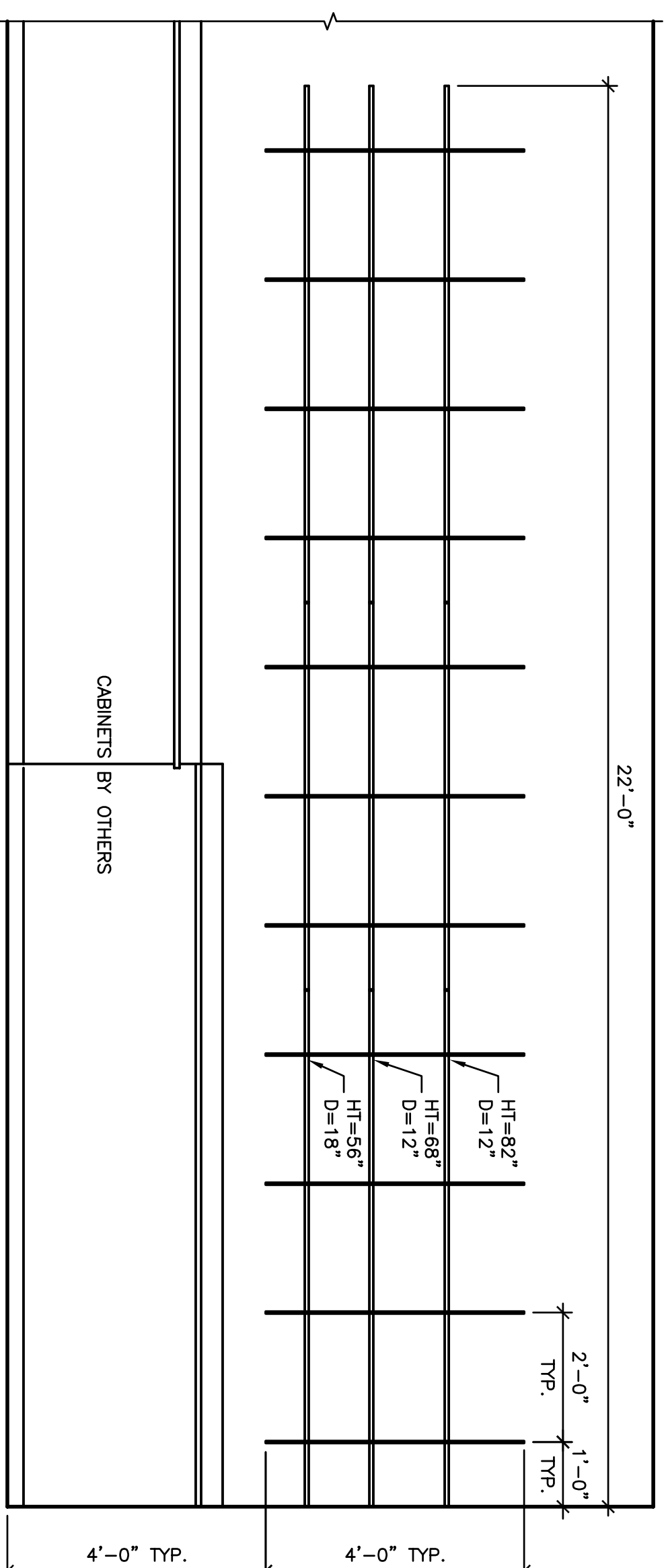


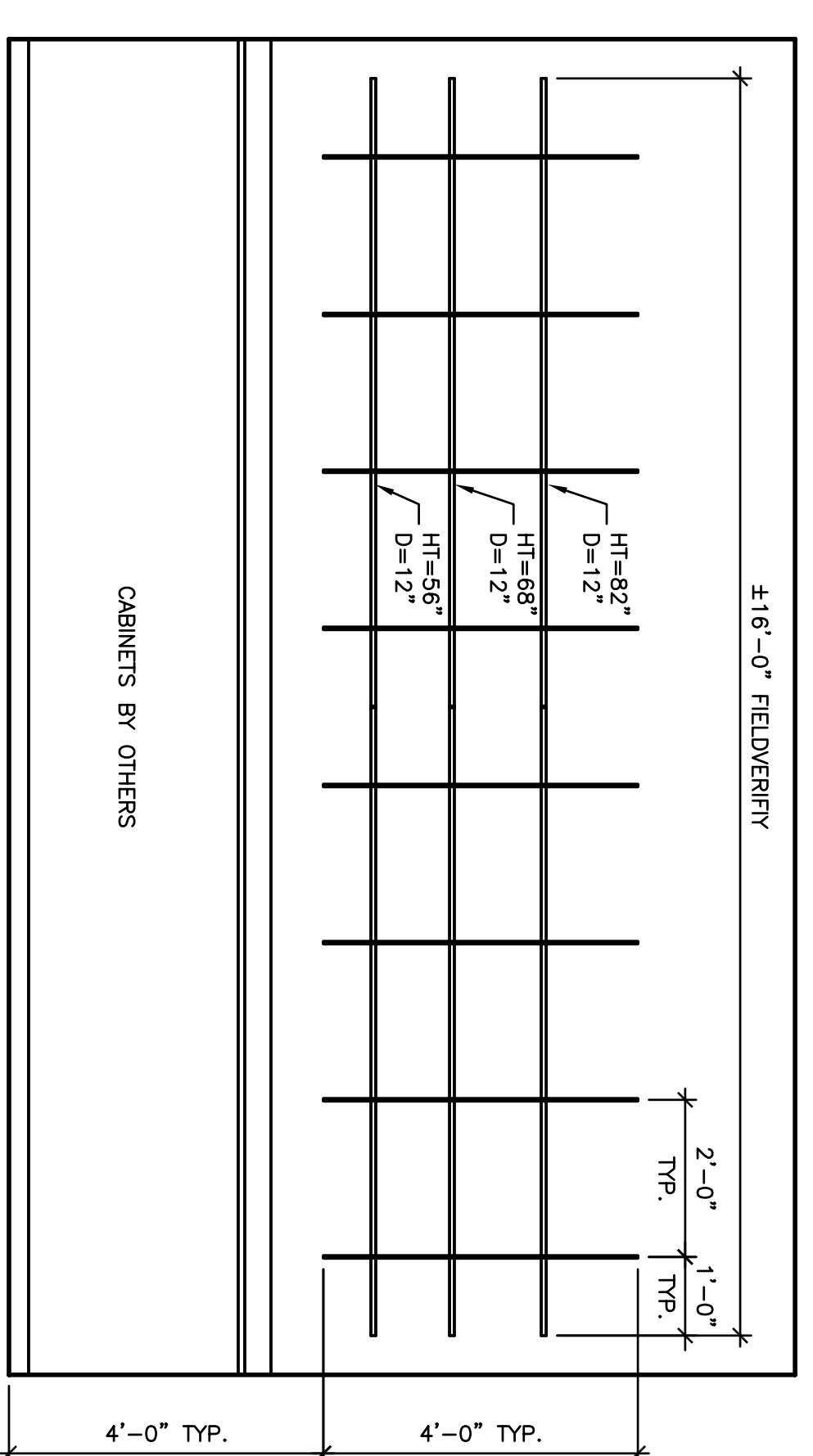
NOTES:
 ALL SHELVES TO RECEIVE LIGHT DUTY UPRIGHTS & BRACKETS, EXCEPT DTL 3-44b & 7-44b.
 HEAVY DUTY: LIGHT DUTY:
 -UPRIGHTS RUBBERMAID (2) 46" BLACK TWIN TRACK
 -BRACKETS RUBBERMAID UNLUTY SINGLE BLACK TRACK
 -SHELVES RUBBERMAID 18.5" BLACK TWIN TRACK
 -UPRIGHTS RUBBERMAID SINGLE BLACK TRACK
 -SHELVES RUBBERMAID SINGLE BLACK TRACK
 * OAK PLYWD, STAINED TO MATCH TENANT SAMPLE & SEALED W/ POLYURETHANE W/ 3/4" HARDWOOD EDGE BANDING, 6" MAX. SHELF LENGTH.
 * OAK PLYWD, STAINED TO MATCH TENANT SAMPLE & SEALED W/ POLYURETHANE W/ 3/4" HARDWOOD EDGE BANDING, 8" MAX. SHELF LENGTH.



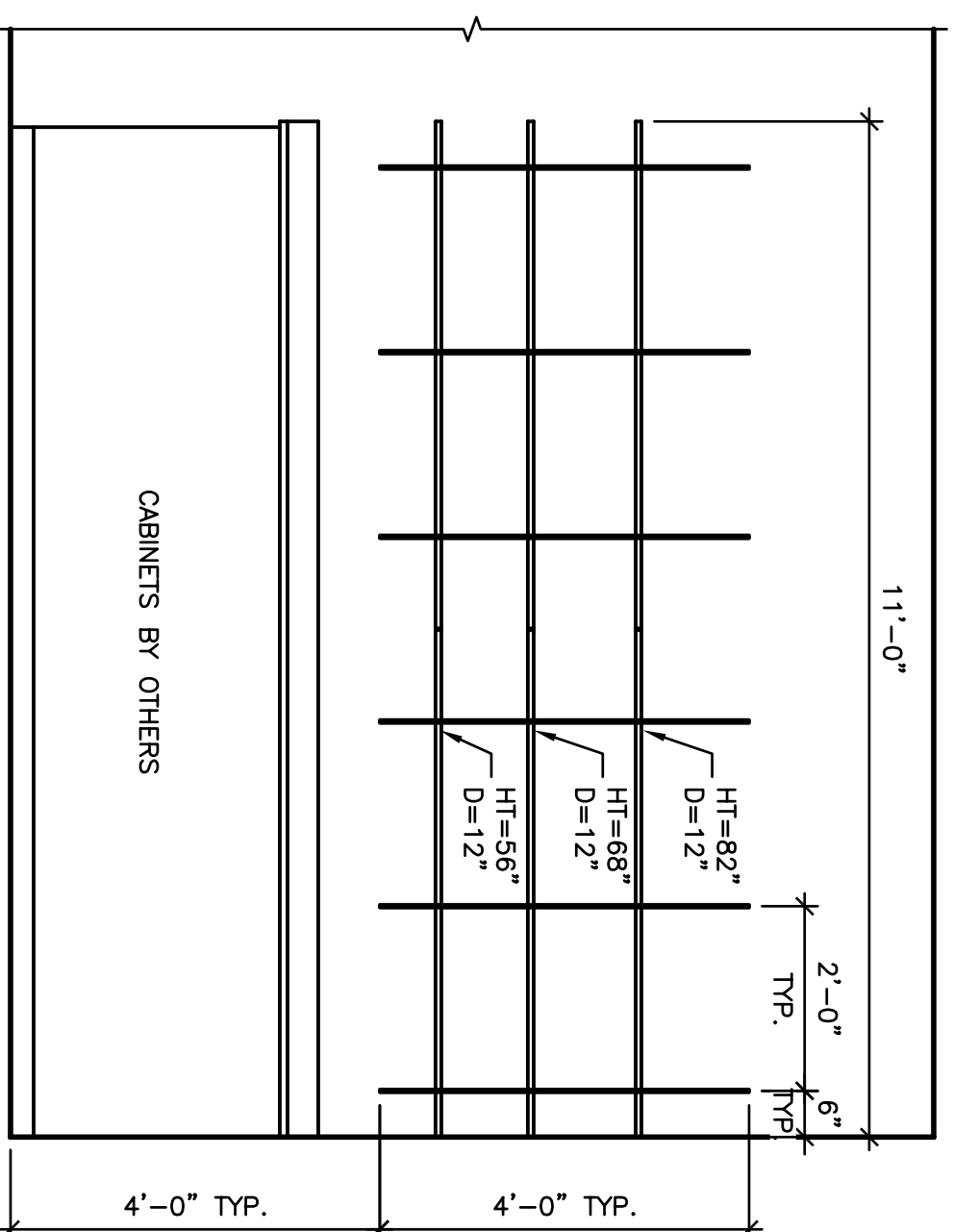
449-1 MILLWORK ELEV.
 SCALE: 1/2" = 1'-0"



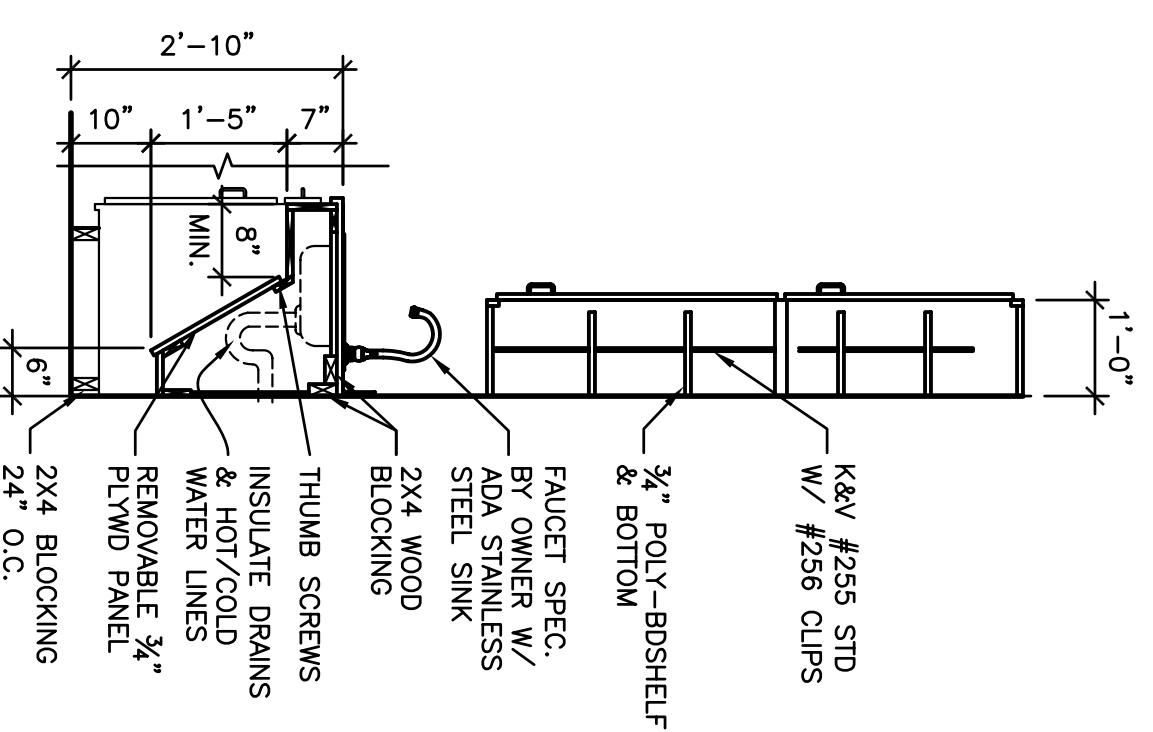
449-2 MILLWORK ELEV.
 SCALE: 1/2" = 1'-0"



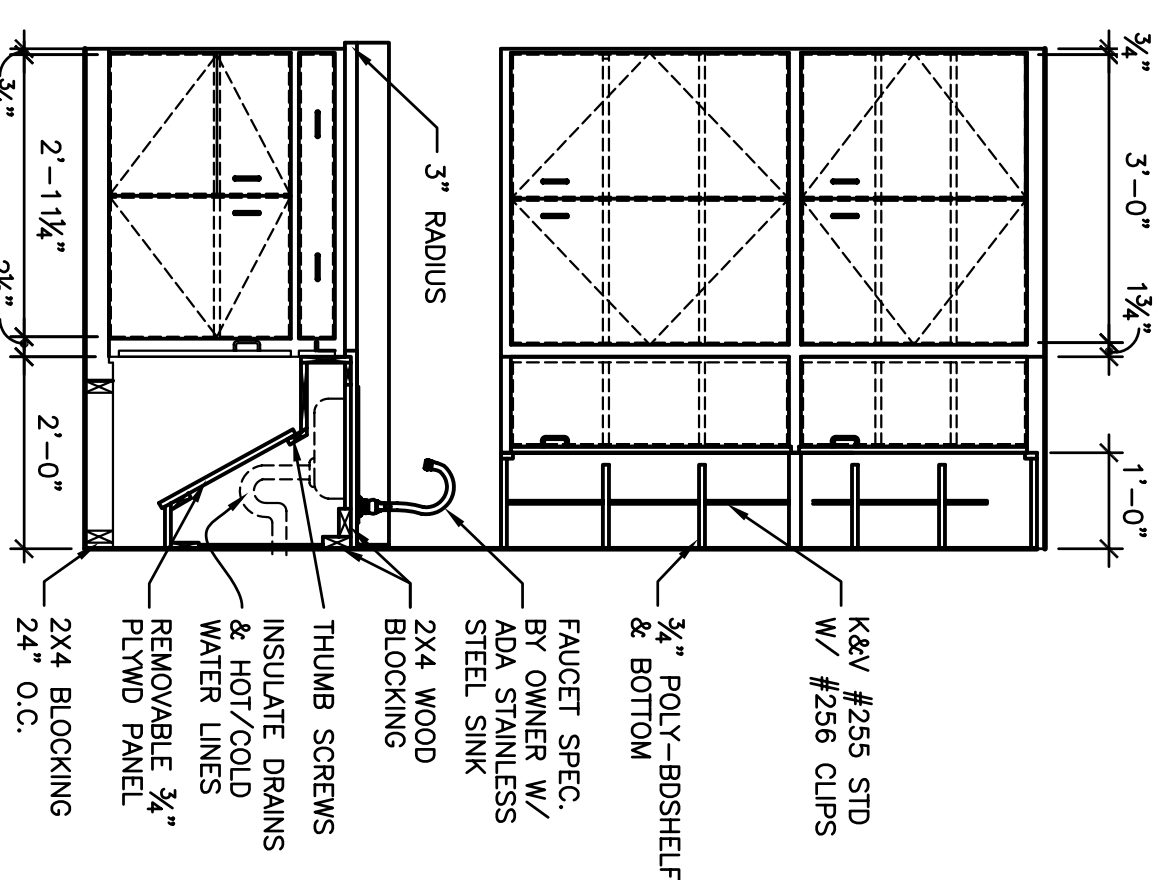
449-3 MILLWORK ELEV.
 SCALE: 1/2" = 1'-0"



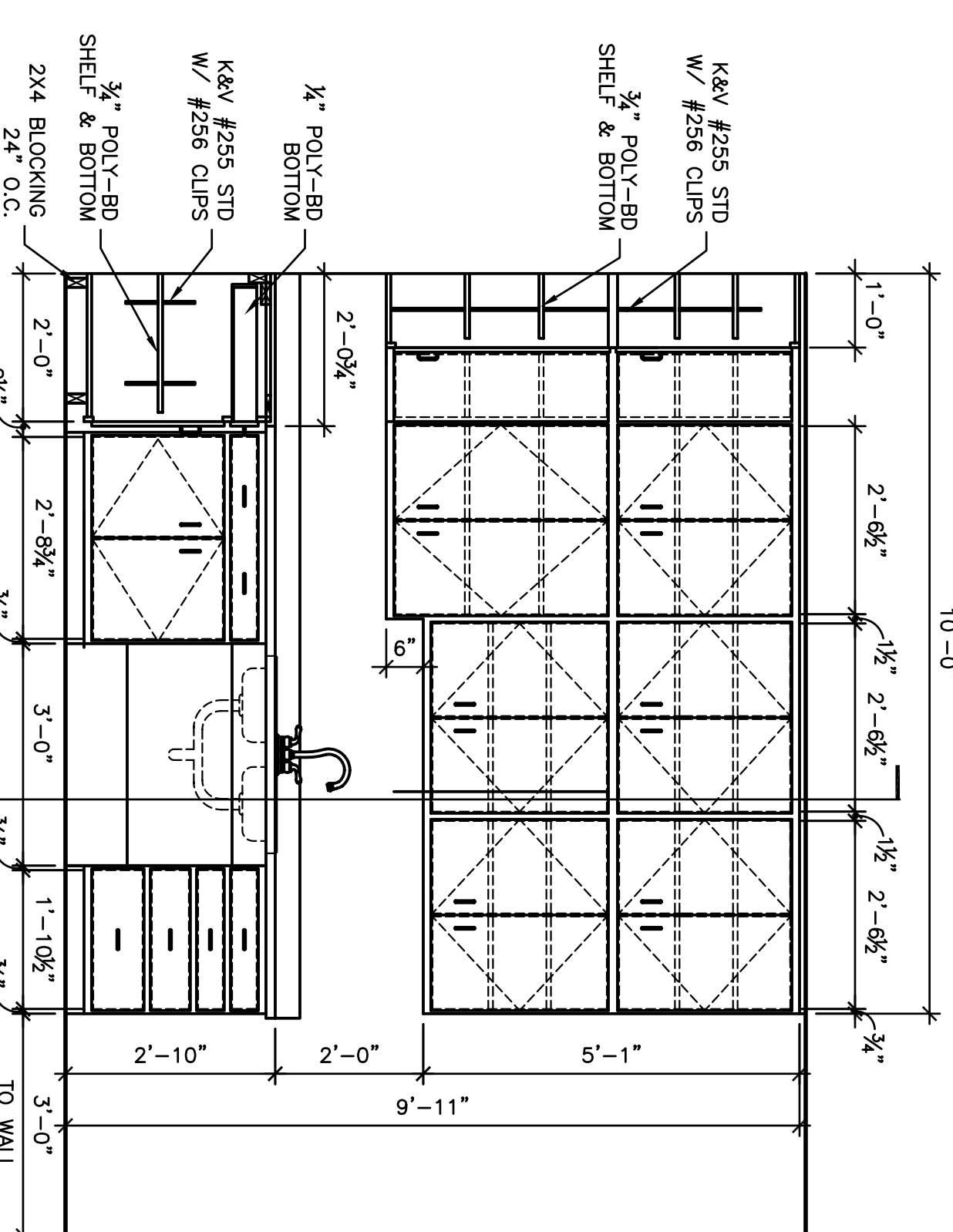
449-4 MILLWORK ELEV.
 SCALE: 1/2" = 1'-0"



449-5 MILLWORK ELEV.
 SCALE: 1/2" = 1'-0"



449-6 MILLWORK ELEV.
 SCALE: 1/2" = 1'-0"



449-7 MILLWORK ELEV.
 SCALE: 1/2" = 1'-0"

Commercial & Industrial
 Development, Management & Brokerage
 Phone: (806) 474-2223
 Fax: (806) 474-2216
 501 E. 66th Street
 Lubbock, Texas 79404

SANTIA FE PARK-LOT 32-SUITE 500
 6112 43rd Street
 Lubbock, Texas 79407

Date: 10/24/2008
 Drawn by: JMT, JMS, MRK
 Checked by:

Rev:

Notes:

Arec:

Approved by
 Boyer
 CropScience
 LP

Lubbock
 Santa Fe 32
 LTD.